



GENERAL INFORMATION

The Irideon FPZ takes the beauty and punch of the Source Four® beam and puts it into a fixture designed to work in any architectural environment. With built-in zoom optics, three-plane shutters and a rotating barrel, the FPZ can create a sharp or soft focused light in any shape you need. And when used with either glass or metal gobos, logos and designs look sharp and distinctive.

With the addition of local level control as well as individual DMX addressing, the Irideon FPZ can do it all, and look great while doing it.

VENUES

- Museums
- Retail stores
- Restaurants
- Lobbies
- Theatres

FEATURES

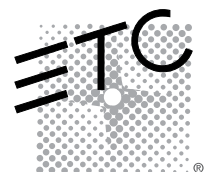
- Rugged, die-cast fixture body
- Built-in zoom optics (25-50 degrees)
- Uniquely efficient optical system
- Long-life dimmable white LED sources
- Three-plane shutters
- Integrated media holder
- Eutrac® 3-circuit w/data track adapter adapter with built-in intensity trim and DMX control
- Available in black, white and silver Grey
 - Custom paint colours available; contact ETC

GENERAL

- CE compliant and IP40 rated

ORDERING INFORMATION

PART NO.	DESCRIPTION
7191A1231	Irideon FPZ Zoom 25°-50° 3000K 80+ CRI, black
7191A1221	Irideon FPZ Gallery 25°-50° 3000K 90+ CRI, black
7191A1241	Irideon FPZ Zoom 25°-50° 4000K 80+ CRI, black
7191A1251	Irideon FPZ Zoom 25°-50° 5000K 80+ CRI, black
COLOUR OPTIONS	
-1	White
-5	Silver Grey
-8	Custom Colour



SPECIFICATIONS

PHYSICAL

- Die-cast aluminium construction (A380 grade)
- Fine texture, high temperature powder-coated paint
- Steel yoke with 10.3mm diameter mounting hole
- Rotating shutter assembly $\pm 175^\circ$
- E-size gobo pattern holder (included)
 - 37.5mm with a 25.4mm image area
- Four locking, stainless steel, shutters in a tri-plane assembly, 0.40mm (A301 grade)
- Zoom range to suit a variety of throw distances
- Tool-free tilt and beam adjustment
- High-impact resistant, thermally insulated knobs and shutter handles
- Captive accessory slot for gobo pattern holder (holder included)
- Magnetically held media holder
- Track mount -
 - Compatible with Eutrac three-circuit track w/data
 - colour matching track adapter
- IP40 rated

ELECTRICAL

- Power at full intensity: 20W typical
- Input voltage options:
 - 100-240V, 50/60Hz
- Inrush (first half-cycle)
 - 120V: 11A
 - 240V: 24A

SOURCE

- Cree LED
 - Irideon FPZ 3000K: 80+ CRI
 - Irideon FPZ 3000K Gallery: 90+ CRI
 - Irideon FPZ 4000K: 80+ CRI
 - Irideon FPZ 5000K: 80+ CRI
- Long-life LED : 35,000 hours L70 lumen maintenance

OPTICAL

- Built-in zoom optics (25-50 degree beam-angle)
- Projector-quality, high-contrast lenses
- Beam edge continually adjustable hard to soft

THERMAL

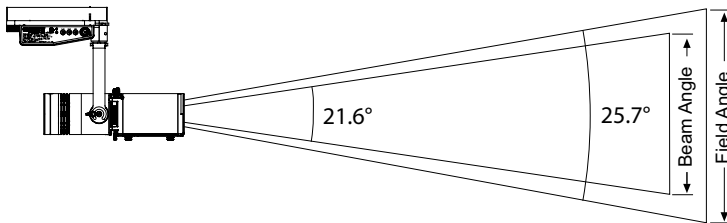
- 0°C to 40°C operating temperature)

PHOTOMETRY

Narrow Focus

Mode	Focus	Candela	Field Lumens	Beam Lumens	Power Consumption	Efficacy (lpw)
3000K / 90 CRI	Narrow	6,785	700	564	20	35.0
3000K / 80 CRI	Narrow	7,543	808	665	20	40.4
4000K / 80 CRI	Narrow	8,964	957	783	20	47.9
5000K / 80 CRI	Narrow	9,117	929	688	20	46.5

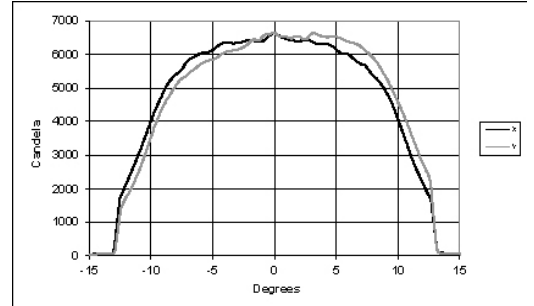
Metric conversions: For meters, multiply feet by 0.3048
For lux, multiply footcandles by 10.76



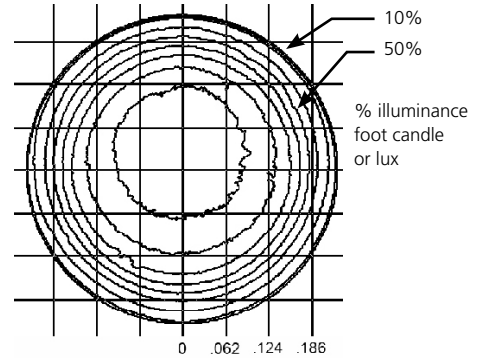
Throw Distance (d)	3.0m	4.6m	6.1m	9.1m
Field Diameter	1.4m	2.1m	2.8m	4.2m
Illuminance (fc)	75	34	19	8
Illuminance (lux)	812	361	203	90

For field diameter at any distance, multiply distance by 0.456
For beam diameter at any distance, multiply by 0.382

Candela Plot



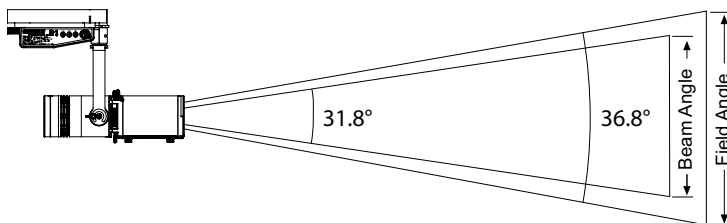
Iso-Illuminance Diagram (Flat Surface Distribution)



Mid Focus

Mode	Focus	Candela	Field Lumens	Beam Lumens	Power Consumption	Efficacy (lpw)
3000K / 90 CRI	Mid	3,487	721	566	20	36.1
3000K / 80 CRI	Mid	3,915	836	669	20	41.8
4000K / 80 CRI	Mid	4,658	988	788	20	49.4
5000K / 80 CRI	Mid	4,619	964	766	20	48.2

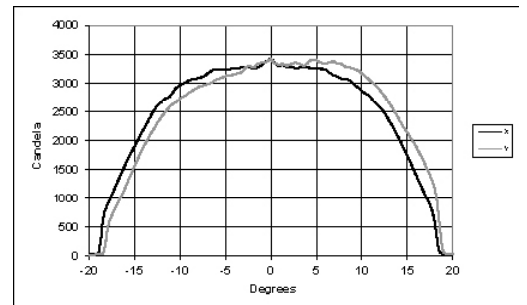
Metric Conversions: For meters, multiply feet by 0.3048
For lux, multiply footcandles by 10.76



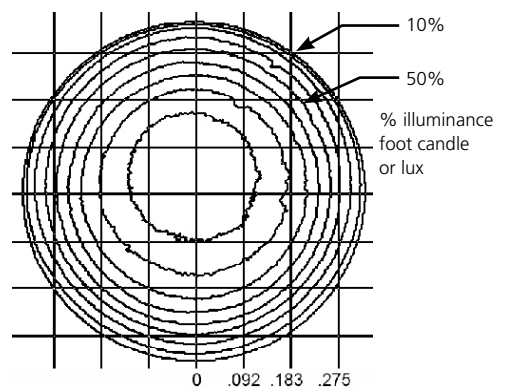
Throw Distance (d)	3.0m	4.6m	6.1m	9.1m
Field Diameter	2.0m	3.0m	4.1m	6.1m
Illuminance (fc)	39	17	10	4
Illuminance (lux)	421	187	105	47

For field diameter at any distance, multiply distance by 0.665
For beam diameter at any distance, multiply by 0.570

Candela Plot



Iso-Illuminance Diagram (Flat Surface Distribution)

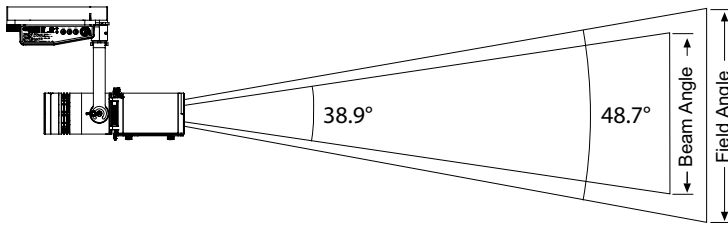


PHOTOMETRY

Wide Focus

Mode	Focus	Candela	Field Lumens	Beam Lumens	Power Consumption	Efficacy (lpw)
3000K / 90 CRI	Wide	2,184	682	511	20	34.1
3000K / 80 CRI	Wide	2,413	786	596	20	39.3
4000K / 80 CRI	Wide	2,797	923	691	20	46.2
5000K / 80 CRI	Wide	2,753	904	678	20	45.2

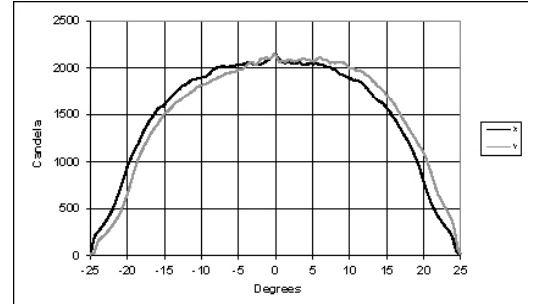
Metric conversions: For meters, multiply feet by 0.3048
 For lux, multiply footcandles by 10.76



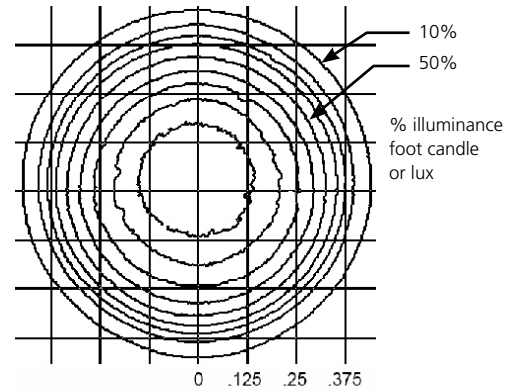
Throw Distance (d)	3.0m	4.6m	6.1m	9.1m
Field Diameter	2.8m	4.1m	5.5m	8.3m
Illuminance (fc)	24	11	6	3
Illuminance (lux)	260	115	65	29

For field diameter at any distance, multiply distance by 0.905
 For beam diameter at any distance, multiply by 0.706

Candela Plot



Iso-Illuminance Diagram (Flat Surface Distribution)



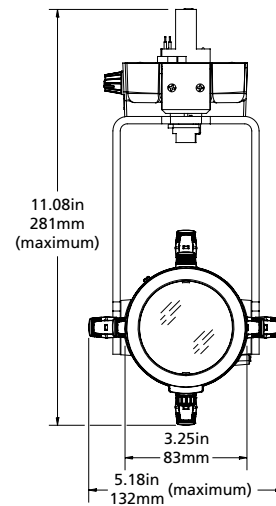
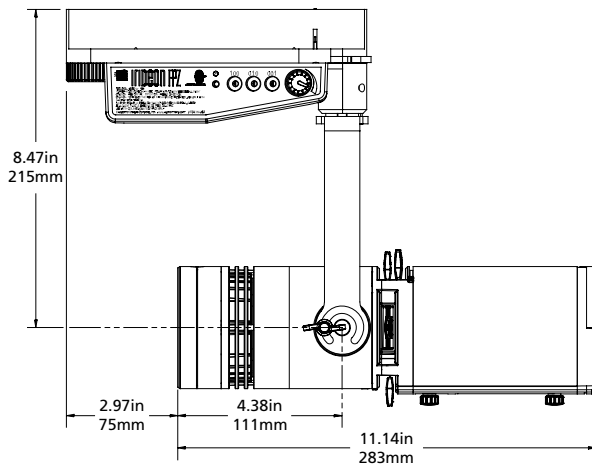
PHYSICAL

FPZ Dimensions

	HEIGHT	WIDTH	DEPTH
	mm	mm	mm
Track Mount	281	132	358

FPZ Weights

	WEIGHT	SHIPPING WEIGHT
	kgs	kgs
Track Mount	2.3	2.8



Corporate Headquarters • 3031 Pleasant View Rd, PO Box 620979, Middleton WI 53562 0979 USA • Tel +1 608 831 4116 • Fax +1 608 836 1736
London, UK • Unit 26-28, Victoria Industrial Estate, Victoria Road, London W3 6UU, UK • Tel +44 (0)20 8896 1000 • Fax +44 (0)20 8896 2000
Rome, IT • Via Pieve Torina, 48, 00156 Rome, Italy • Tel +39 (06) 32 111 683 • Fax +44 (0)20 8752 8486
Holzkirchen, DE • Ohmstrasse 3, 83607 Holzkirchen, Germany • Tel +49 (80 24) 47 00-0 • Fax +49 (80 24) 47 00-3 00
Hong Kong • Room 1801, 18/F, Tower 1 Phase 1, Enterprise Square, 9 Sheung Yuet Road, Kowloon Bay, Kowloon, Hong Kong • Tel +852 2799 1220 • Fax +852 2799 9325
Web • www.etcconnect.com • Copyright©2016 ETC. All Rights Reserved. All product information and specifications subject to change. 7191L1001-GB Rev A 03/2016
 U.S. and international patents pending.